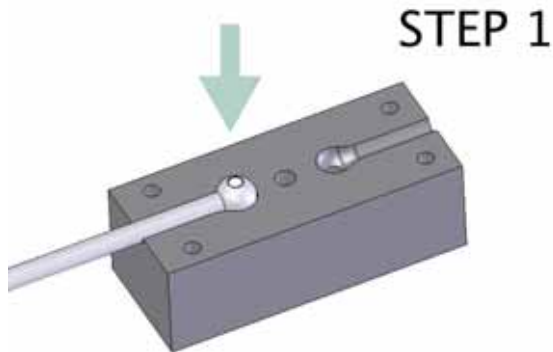


TiTAN Drive Shaft Pin Replacement Tool #16000

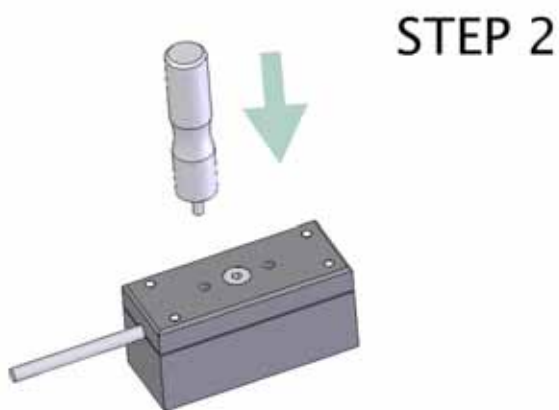
USER INSTRUCTION

PLEASE READ INSTRUCTION BEFORE YOU USE THIS TOOL

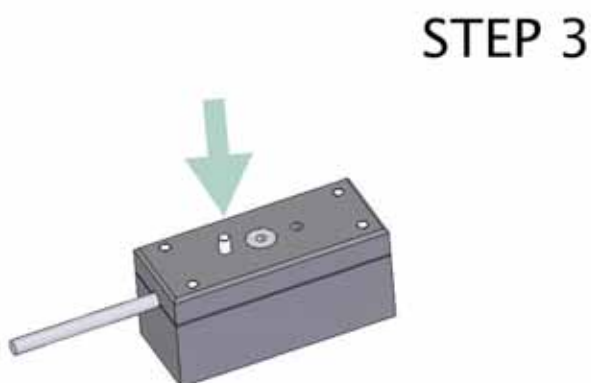
1. This tool is not toy , only use the age over 14 yeas old.
2. Wear glass to protect your eye before you use hammer hit the pin
3. This tool only design to replace R/C car driver shaft pin.
4. Use only for drive shaft pin size in 3mm



1. Drive Shaft Base have 2 size for drive shaft , one side is for **1/10** and other side is for **1/8** Car , please choose correct place which can fits with Drive Shaft Ball Head well
2. Use Hammer to hit driver shaft pin into flat with driver shaft ball head



1. Cover the Upper deck and use screw tight the upper deck.
2. Use Pin puncher push the driver shaft pin below the ball head.



1. Place a **new pin** into the hole and use hammer push pin into driver shaft ball head ,
2. After pin into driver shaft ball head , then open the upper deck and use hammer to adjust pin location .

Driver Shaft Pin not include , Use ony high quality pin with following number
#16108(3mmX 10.8mm) #16118(3mmX 11.8mm) #16138(3mmX 3.8mm)

TITAN PRECISION R/C MODEL CO LTD.

NO.20 CHUNG-SHIAO RD, TAICHUNG CITY 40248 TAIWAN.